

Immersion Resistance thermometer

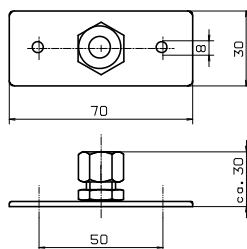
Sensor tube 15 x 1.5 mm, screw slidable

- Measuring insert** 1 x PT 100 / 2 x PT 100, changeable 8 mm Ø
 Transmitter installation possible (Sheet 18.10)
- Connection head** Form B of light alloy according to DIN 43729 with
 M 20 x 1.5 cable entry

Connection diagram See sheet 19.20

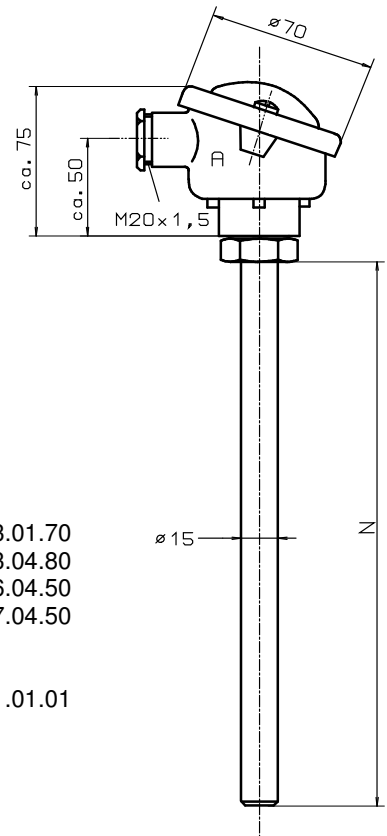
Operating temperature Up to 550° C

**Response time
(Average value)**
 in Water 0,4 m/s : $t_{0,5} \approx 40$ s, $t_{0,9} \approx 130$ s
 in Air 1 m/s : $t_{0,5} \approx 2,5$ min, $t_{0,9} \approx 8,0$ min

Fixing


Fitting
 Material :
 galvanized steel R1/2" 8.03.01.70
 1.4541 R1/2" 8.03.04.80
 1.4541 R3/4" 8.06.04.50
 1.4541 R1" 8.07.04.50

Flange
 galvanized steel 8.41.01.01



Version Material 1.4541 (V2A) stainless steel X6 CrNiTi 1810

Thermowell Material	N in mm	Weight in kg	Measuring-insert length	Order no. 1 x PT100	Order no. 2 x PT100	Delivery time
1.4541	300	0,7	330	4.14.04.11	4.14.04.12	All models are available by arrangement
	400	0,8	430	4.14.04.21	4.14.04.22	
	500	1,0	530	4.14.04.31	4.14.04.32	
	700	1,3	730	4.14.04.41	4.14.04.42	
	1000	1,5	1030	4.14.04.51	4.14.04.52	
	1200	1,7	1230	4.14.04.61	4.14.04.62	
	Surcharge		3-wire circuit	4.14.00.03	4.14.00.23	
	Surcharge		4-wire circuit	4.14.00.04	4.14.00.24	

Version Material 1.4571 (V4A) stainless steel X6 CrNiMoTi 17222

Thermowell Material	N in mm	Weight in kg	Measuring-insert length	Order no. 1 x PT100	Order no. 2 x PT100	Delivery time
1.4571	300	0,7	330	4.14.20.11	4.14.20.12	All models are available by arrangement
	400	0,8	430	4.14.20.21	4.14.20.22	
	500	1,0	530	4.14.20.31	4.14.20.32	
	700	1,3	730	4.14.20.41	4.14.20.42	
	1000	1,5	1030	4.14.20.51	4.14.20.52	
	1200	1,7	1230	4.14.20.61	4.14.20.62	
	Surcharge		3-wire circuit	4.14.00.03	4.14.00.23	
	Surcharge		4-wire circuit	4.14.00.04	4.14.00.24	