

Immersion Resistance thermometer

Sensor tube 10 x 1 mm, fitting slidable

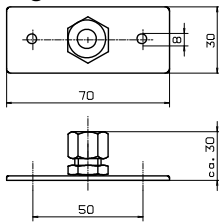
Measuring insert 1 x PT 100 / 2 x PT 100, not replaceable
 transmitter installation possible (sheet 18.10)

Connection-head Form B at Aluminium to DI N 43729 with
 M 20 x 1,5 Cable-screw

Connection-diagram sheet 19.20

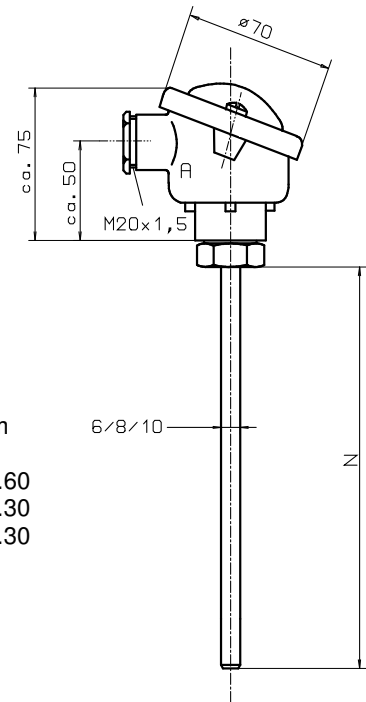
Operating-temperature Up to 550°C

**Response time
(Average value)**
 in Water 0,4 m/s : $t_{0,5} \approx 30$ s, $t_{0,9} \approx 90$ s
 in Air 1m/s : $t_{0,5} \approx 2,5$ min, $t_{0,9} \approx 6,6$ min

Fixing


Fitting with steel crimp ring

Material	Sensor tube	Ø 6mm	Ø 8mm	Ø 10mm
Steel coated	R1/2"	0.58.12.00		
1.4541	R1/2"	8.03.04.40	8.03.04.50	8.03.04.60
1.4541	R1/2"	8.06.04.10	8.06.04.20	8.06.04.30
1.4541	R1"	8.07.04.10	8.07.04.20	8.07.04.30
other system connections, see sheet 18.5 / 18.6 / 18.7				
Flange				
Steel coated		0.41.01.01		


Version Thermowell Material 1.4541 (V2A) stainless Steel X 6CrNiTi 1810

N in mm	Ø 6mm		Ø 8mm		Ø 10mm	
	Order-No. 1 x PT 100	Order-No. 2 x PT 100	Order-No. 1 x PT 100	Order-No. 2 x PT 100	Order-No. 1 x PT 100	Order-No. 2 x PT 100
180	4.13.04.13	4.13.04.14	4.13.04.15	4.13.04.16	4.13.04.17	4.13.04.18
250	4.13.04.23	4.13.04.24	4.13.04.25	4.13.04.26	4.13.04.27	4.13.04.28
300	4.13.04.33	4.13.04.34	4.13.04.35	4.13.04.36	4.13.04.37	4.13.04.38
350	4.13.04.43	4.13.04.44	4.13.04.45	4.13.04.46	4.13.04.47	4.13.04.48
400	4.13.04.53	4.13.04.54	4.13.04.55	4.13.04.56	4.13.04.57	4.13.04.58
500	4.13.04.63	4.13.04.64	4.13.04.65	4.13.04.66	4.13.04.67	4.13.04.68
Surcharge						
3-wire circuit	4.13.04.73	4.13.04.74	4.13.04.75	4.13.04.76	4.13.04.77	4.13.04.78
4-wire circuit	4.13.04.83	4.13.04.84	4.13.04.85	4.13.04.86	4.13.04.87	4.13.04.88
per 50 mm N	4.13.04.93	4.13.04.94	4.13.04.95	4.13.04.96	4.13.04.97	4.13.04.98

Version Thermowell Material 1.4571 (V4A) stainless Steel X 6 CrNiMoTi 17122

N in mm	Ø 6mm		Ø 8mm		Ø 10mm	
	Order-No. 1 x PT 100	Order-No. 2 x PT 100	Order-No. 1 x PT 100	Order-No. 2 x PT 100	Order-No. 1 x PT 100	Order-No. 2 x PT 100
180	4.13.20.13	4.13.20.14	4.13.20.15	4.13.20.16	4.13.20.17	4.13.20.18
250	4.13.20.23	4.13.20.24	4.13.20.25	4.13.20.26	4.13.20.27	4.13.20.28
300	4.13.20.33	4.13.20.34	4.13.20.35	4.13.20.36	4.13.20.37	4.13.20.38
350	4.13.20.43	4.13.20.44	4.13.20.45	4.13.20.46	4.13.20.47	4.13.20.48
400	4.13.20.53	4.13.20.54	4.13.20.55	4.13.20.56	4.13.20.57	4.13.20.58
500	4.13.20.63	4.13.20.64	4.13.20.65	4.13.20.66	4.13.20.67	4.13.20.68
Surcharge						
3-wire circuit	4.13.20.73	4.13.20.74	4.13.20.75	4.13.20.76	4.13.20.77	4.13.20.78
4-wire circuit	4.13.20.83	4.13.20.84	4.13.20.85	4.13.20.86	4.13.20.87	4.13.20.88
per 50 mm IN	4.13.20.93	4.13.20.94	4.13.20.95	4.13.20.96	4.13.20.97	4.13.20.98

Versions in other nominal lengths and materials possible