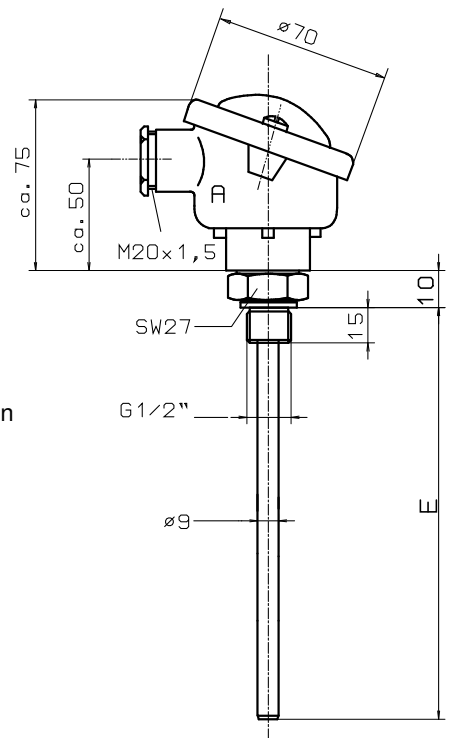


Immersion Resistance thermometer with head form B

without neck tube , the sensor tube 9x1 mm

- Measuring insert** 1 x PT 100 / 2 x PT 100, changeable 6 mm Ø
Transmitter installation possible (Sheet 18.10)
- Connection head** Form B of light alloy according to DIN 43729 with
M 20 x 1.5 cable entry
- Connection diagram** See sheet 19.20
- Operating temperature** normal up to 150 ° C due to the heating of the connection
head. With adequate head cooling used for higher
temperatures; according to chart sheet 1.1 according to
the thermowell.
- Response time
(Average value)**
 in Water 0,4 m/s : $t_{0,5} \approx 25$ s, $t_{0,9} \approx 75$ s
 in Air 1 m/s : $t_{0,5} \approx 2$ min, $t_{0,9} \approx 6,3$ min


Version Material 1.4541 (V2A) stainless steel X6 CrNiTi 1810

Thermowell Material	E in mm	Weight in kg	Measuring insert length	Order no. 1 x PT100	Order no. 2 x PT100	Delivery time
1.4541	50	0,5	90	4.15.04.01	4.15.04.02	All models are available by arrangement
	100	0,5	140	4.15.04.11	4.15.04.12	
	160	0,6	200	4.15.04.21	4.15.04.22	
	200	0,7	240	4.15.04.51	4.15.04.52	
	250	0,7	290	4.15.04.61	4.15.04.62	
	300	0,8	340	4.15.04.71	4.15.04.72	
	350	0,8	390	4.15.04.41	4.15.04.42	
	400	0,9	430	4.15.04.81	4.15.04.82	
	500	1,0	520	4.15.04.91	4.15.04.92	
	Surcharge			3- wire circuit	4.15.00.03	
			4- wire circuit	4.15.00.04	4.15.00.24	

Version Material 1.4571 (V4A) stainless steel X6 CrNiMoTi 17222

Thermowell Material	E in mm	Weight in kg	Measuring insert length	Order no. 1 x PT100	Order no. 2 x PT100	Delivery time
1.4571	50	0,5	90	4.15.20.01	4.15.20.02	All models are available by arrangement
	100	0,5	140	4.15.20.11	4.15.20.12	
	160	0,6	200	4.15.20.21	4.15.20.22	
	200	0,7	240	4.15.20.51	4.15.20.52	
	250	0,7	290	4.15.20.61	4.15.20.62	
	300	0,8	340	4.15.20.71	4.15.20.72	
	350	0,8	390	4.15.20.41	4.15.20.42	
	400	0,9	430	4.15.20.81	4.15.20.82	
	500	1,0	530	4.15.20.91	4.15.20.92	
	Surcharge			3- wire circuit	4.15.00.03	
			4- wire circuit	4.15.00.04	4.15.00.24	

Versions in other nominal lengths and materials possible