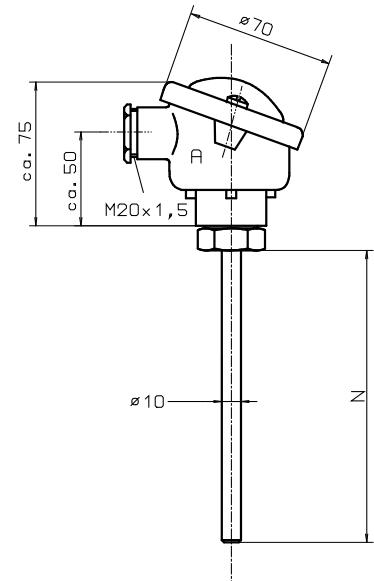
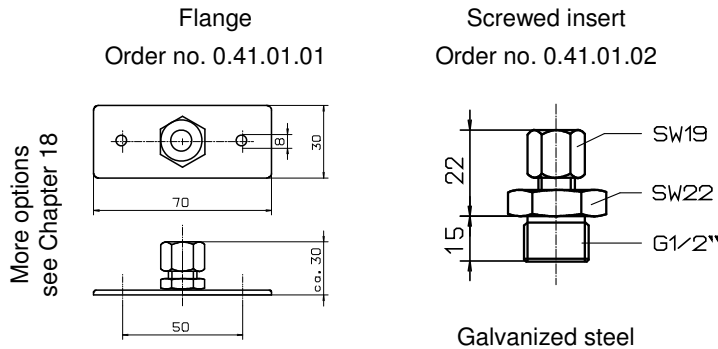


Immersion thermocouple

- Measuring insert** Fe-CuNi or Ni-CrNi
 In special design with exchangeable measuring insert
 Transmitter installation possible
- Connection head** Form B of light alloy according to DIN 43729 with
 M 20 x 1.5 cable entry
- Connection diagram** See page 19.20
- Fixing**



Version	Thermowell 10 x 1 Ø		Material 1.4541 (V2A) Stainless steel X6 CrNiTi 1810				
Measuring temperature in °C	N in mm	Weight in kg	Order no. 1 x Fe-CuNi	Order no. 2 x Fe-CuNi	Order no. 1 x Ni-CrNi	Order no. 2 x Ni-CrNi	Delivery Time
600	180	0,4	1.13.04.11	1.13.04.12	2.13.04.11	2.13.04.12	All models are available by arrangement
	250	0,5	1.13.04.21	1.13.04.22	2.13.04.21	2.13.04.22	
	300	0,6	1.13.04.31	1.13.04.32	2.13.04.31	2.13.04.32	
	400	0,7	1.13.04.41	1.13.04.42	2.13.04.41	2.13.04.42	
	500	0,9	1.13.04.51	1.13.04.52	2.13.04.51	2.13.04.52	

Version	Thermowell 10 x 1 Ø		Material 1.4571 (V4A) Stainless steel X6 CrNiMoTi 17122				
Measuring temperature in °C	N in mm	Weight in kg	Order no. 1 x Fe-CuNi	Order no. 2 x Fe-CuNi	Order no. 1 x Ni-CrNi	Order no. 2 x Ni-CrNi	Delivery Time
800	180	0,4	1.13.20.11	1.13.20.12	2.13.20.11	2.13.20.12	All models are available by arrangement
	250	0,5	1.13.20.21	1.13.20.22	2.13.20.21	2.13.20.22	
	300	0,6	1.13.20.31	1.13.20.32	2.13.20.31	2.13.20.32	
	400	0,7	1.13.20.41	1.13.20.42	2.13.20.41	2.13.20.42	
	500	0,9	1.13.20.51	1.13.20.52	2.13.20.51	2.13.20.52	

Version	Thermowell 10 x 2,5 Ø		Material 1.4541 (V2A) Stainless steel X6 CrNiTi 1810				
Measuring temperature in °C	N in mm	Weight in kg	Order no. 1 x Fe-CuNi	Order no. 2 x Fe-CuNi	Order no. 1 x Ni-CrNi	Order no. 2 x Ni-CrNi	Delivery Time
600	400	0,8	1.13.04.61	1.13.04.62	2.13.04.61	2.13.04.62	All models are available by arrangement
	500	0,9	1.13.04.71	1.13.04.72	2.13.04.71	2.13.04.72	
	710	1,1	1.13.04.81	1.13.04.82	2.13.04.81	2.13.04.82	
	1000	1,3	1.13.04.91	1.13.04.92	2.13.04.91	2.13.04.92	

Version	Thermowell 10 x 2,5 Ø		Material 1.4762 X10 CrAl 24				
Measuring temperature in °C	N in mm	Weight in kg	Order no. 1 x Fe-CuNi	Order no. 2 x Fe-CuNi	Order no. 1 x Ni-CrNi	Order no. 2 x Ni-CrNi	Delivery Time
800	400	0,8	1.13.22.11	1.13.22.12	2.13.22.11	2.13.22.12	All models are available by arrangement
	500	0,9	1.13.22.21	1.13.22.22	2.13.22.21	2.13.22.22	
(1000) (Ni-CrNi)	710	1,1	1.13.22.31	1.13.22.32	2.13.22.31	2.13.22.32	
	1000	1,3	1.13.22.41	1.13.22.42	2.13.22.41	2.13.22.42	