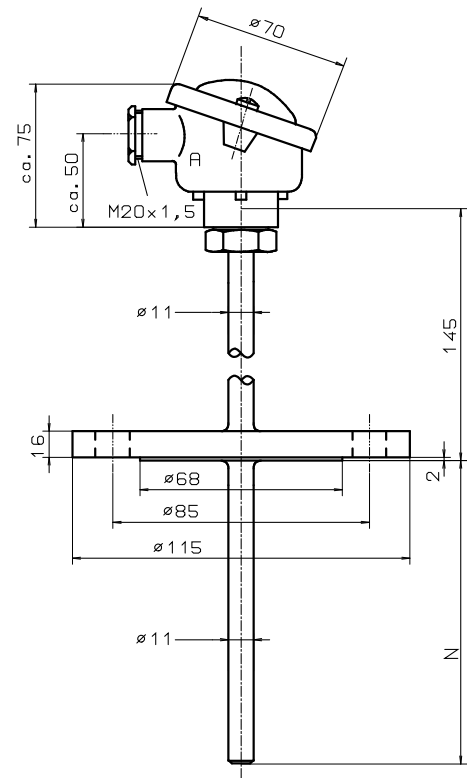


### Flange thermocouple

<b>Measuring insert</b>	Measuring insert according to DIN 43735 8 mm Ø Transducer mounting possible, see page 18.1		
<b>Connection head</b>	Form B made of light alloy according to DIN 43729 with M 20 x 1.5 cable gland		
<b>Flange</b>	NW25 PN16		
<b>Connection diagram</b>	See page 19.20		
<b>Site of operation</b>	Measurement in tanks and pipes		
<b>Operating range</b>	Up to max. 800 ° C at the tip		
<b>Response time (Average value)</b>	in water 0,4 m/s:	$t_{0,5} \approx 30s$	$t_{0,9} \approx 90$
	in air 1m/s:	$t_{0,5} \approx 2,5min$	$t_{0,9} \approx 6,6min$



**Version** Thermowell 11 x 2 mm,  
Material 1.4541 Stainless steel (V2A) X6 CrNiTi 1810

Thermowell Material	Install. Length in mm	Weight in kg	Measuring insert length	Order no. 1 x Fe-CuNi	Order no. 2 x Fe-CuNi	Order no. 1 x NiCr-Ni	Order no. 2 x NiCr-Ni	Delivery time
1.4541	100	1,4	255	1.31.04.11	1.31.04.12	2.31.04.11	2.31.04.12	Delivery at short notice after arranging possibly
	160	1,5	315	1.31.04.21	1.31.04.22	2.31.04.21	2.31.04.22	
	250	1,6	405	1.31.04.31	1.31.04.32	2.31.04.31	2.31.04.32	
	300	1,6	455	1.31.04.41	1.31.04.42	2.31.04.41	2.31.04.42	
	350	1,7	505	1.31.04.51	1.31.04.52	2.31.04.51	2.31.04.52	
	400	1,8	555	1.31.04.61	1.31.04.62	2.31.04.61	2.31.04.62	
	500	1,9	655	1.31.04.71	1.31.04.72	2.31.04.71	2.31.04.72	

Other versions available ( nominal length / flange)

**Version** Thermowell 11 x 2 mm,  
Material 1.4571 Stainless steel (V4A) CrNiMoTi17122

Thermowell Material	Install. Length in mm	Weight in kg	Measuring insert length	Order no. 1 x Fe-CuNi	Order no. 2 x Fe-CuNi	Order no. 1 x NiCr-Ni	Order no. 2 x NiCr-Ni	Delivery time
1.4571	100	1,4	255	1.31.20.11	1.31.20.12	2.31.20.11	2.31.20.12	Delivery at short notice after arranging possibly
	160	1,5	315	1.31.20.21	1.31.20.22	2.31.20.21	2.31.20.22	
	250	1,6	405	1.31.20.31	1.31.20.32	2.31.20.31	2.31.20.32	
	300	1,6	455	1.31.20.41	1.31.20.42	2.31.20.41	2.31.20.42	
	350	1,7	505	1.31.20.51	1.31.20.52	2.31.20.51	2.31.20.52	
	400	1,8	555	1.31.20.61	1.31.20.62	2.31.20.61	2.31.20.62	
	500	1,9	655	1.31.20.71	1.31.20.72	2.31.20.71	2.31.20.72	

Other versions available ( nominal length / flange)