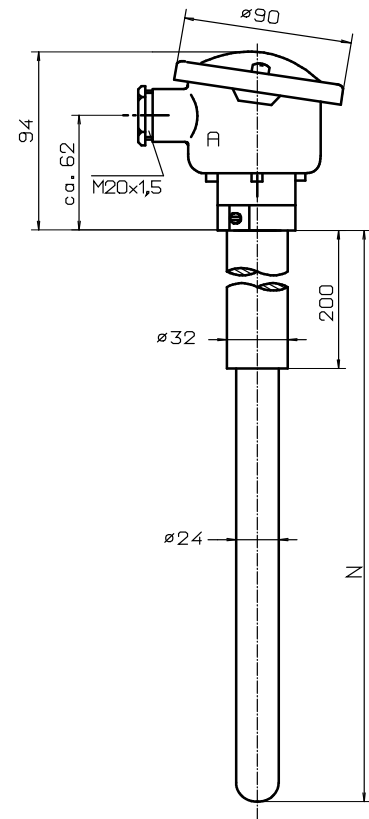
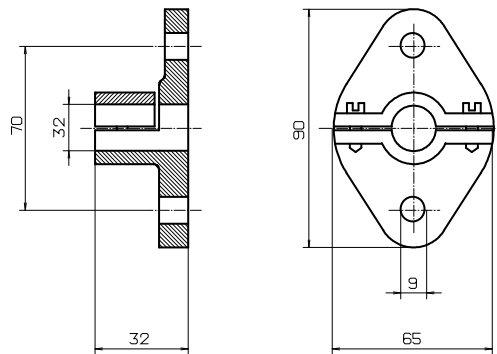


Immersion thermocouple form AK

- Thermocouple** as single as well as double –TE
 NiCr -Ni or Pt-Rh Pt according to DIN 43710 or PtRh - E118
 Legs with ceramic insulation
- Connection head** Form A of light alloy according to DIN 43729 with
 M 20 x 1.5 cable entry
 Transmitter installation possible (see page 18.10)
- Connecting diagram** See page 19.20
- Thermowell** Ceramics, Type 610 or 710 gastight
 Dimensions 24 x 2.5 mm with ceramic inner tube
 in the same material as the outer tube
 Dimensions 10 x 1.5 mm Ø according to DIN 43724
- Stay tube** Steel ST 35.8 Mat. 1.0305 32 x 2 mm 200 mm long
- Stop Flange** 32 mm Ø Order no. 0.42.01.10


Version

Thermowell 24 x 2,5 mmØ	Measuring temperature in °C	N in mm	Weight in kg	Thermo Couple length	Order no. 1 x Fe-CuNi	Order no. 2 x Fe-CuNi	Order no. 1 x Ni-CrNi	Order no. 2 x Ni-CrNi	Delivery time
Ceramic C 610	1200	500	1,4	540	2.42.08.11	2.42.08.12	3.42.08.11	3.42.08.12	All models are available by arrangement
	(NiCr-Ni)	710	1,6	750	2.42.08.21	2.42.08.22	3.42.08.21	3.42.08.22	
		1500	1000	1,8	1040	2.42.08.31	2.42.08.32	3.42.08.31	
	(PtRh-Pt)	1400	2,0	1440	2.42.08.41	2.42.08.42	3.42.08.41	3.42.08.42	
		2000	2,4	2040	2.42.08.51	2.42.08.52	3.42.08.51	3.42.08.52	
Ceramic C 799	1200	500	1,4	540	2.42.09.11	2.42.09.12	3.42.09.11	3.42.09.12	
	(NiCr-Ni)	710	1,6	750	2.42.09.21	2.42.09.22	3.42.09.21	3.42.09.22	
		1600	1000	1,8	1080	2.42.09.31	2.42.09.32	3.42.09.31	
	(PtRh-Pt)	1400	2,0	1440	2.42.09.41	2.42.09.42	3.42.09.41	3.42.09.42	
		2000	2,4	2040	2.42.09.51	2.42.09.52	3.42.09.51	3.42.09.52	
					1xPtRh-El18	2xPtRh-EL18			
Ceramic C 799	1800	500	1,4	540	8.42.09.11	8.42.09.12			
	(PtRh-El18)	710	1,6	750	8.42.09.21	8.42.09.22			
		1000	1,8	1040	8.42.09.31	8.42.09.32			

Precious metal thermocouples will be charged separately at the current price.