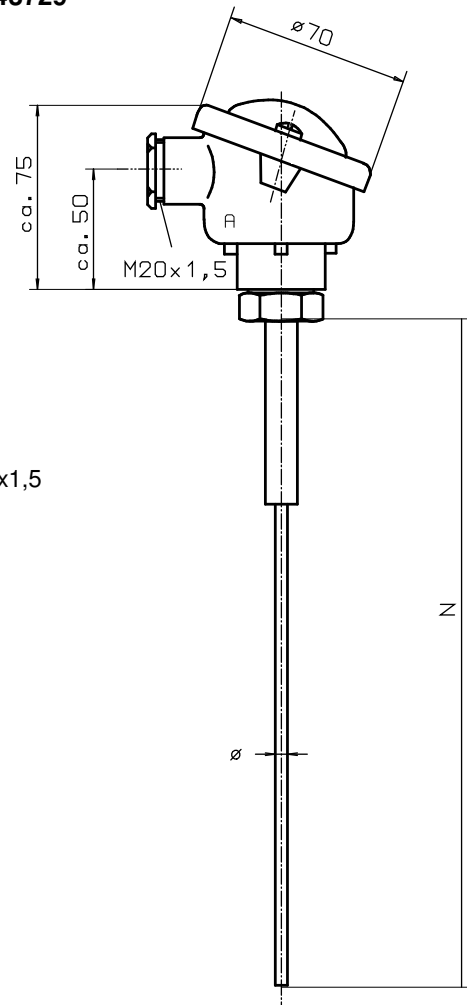


**Sheath thermocouple with connection head B according to DIN 43729**

<b>Thermopair</b>	Fe-CuNi NiCr-Ni
<b>Working-temperature</b>	Fe-CuNi up to 400°C NiCr-Ni up to 600°C
<b>Version</b>	Standard version hot junction isolated from the outer sheath welded
<b>Outer sheath</b>	Stainless steel W-No. 1.4541 (800 °C) Inconel W-No. 2.4816 (1200 °C)
<b>Connection head</b>	Form B of Aluminium light alloy according to with M20x1,5 Cable-screw
<b>Connecting</b>	Datasheet 19.20
<b>Nominal length</b>	500 mm included in the list price


**Version Outer sheath stainless steel W.No.1.4541**

Element Ø in mm	Order-No. 1 x Fe-CuNi	Add. price 100mmNL	Order-No. 2 x Fe-CuNi	Add. price 100mmNL	Order-No. 1 x Ni-CrNi	Add. price 100mmNL	Order-No. 2 x Ni-CrNi	Add. price 100mmNL
1,5	1.64.04.11	1.64.04.01	1.64.04.12	1.64.04.10	2.64.04.11	2.64.04.01	2.64.04.12	2.64.04.10
3,0	1.64.04.21	1.64.04.02	1.64.04.22	1.64.04.20	2.64.04.21	2.64.04.02	2.64.04.22	2.64.04.20
4,5	1.64.04.31	1.64.04.03	1.64.04.32	1.64.04.30	2.64.04.31	2.64.04.03	2.64.04.32	2.64.04.30
6,0	1.64.04.41	1.64.04.04	1.64.04.42	1.64.04.40	2.64.04.41	2.64.04.04	2.64.04.42	2.64.04.40

**Version Outer sheath Inconel W –No. 2.4816**

Element Ø in mm	Order-No. 1 x Fe-CuNi	Add. price 100mmNL	Order-No. 2 x Fe-CuNi	Add. price 100mmNL	Order-No. 1 x Ni-CrNi	Add. price 100mmNL	Order-No. 2 x Ni-CrNi	Add. price 100mmNL
1,5	1.64.05.11	1.64.05.01	1.64.05.12	1.64.05.10	2.60-05.11	2.64.05.01	2.64.05.12	2.64.05.10
3,0	1.64.05.21	1.64.05.02	1.64.05.22	1.64.05.20	2.64.05.21	2.64.05.02	2.64.05.22	2.64.05.20
4,5	1.64.05.31	1.64.05.03	1.64.05.32	1.64.05.30	2.64.05.31	2.64.05.03	2.64.05.32	2.64.05.30
6,0	1.64.05.41	1.64.05.04	1.64.05.42	1.64.05.40	2.64.05.41	2.64.05.04	2.64.05.42	2.64.05.40

**Standard version** : Probe tip isolated from the outer sheath welded  
**Spezial version** : Probe tip with the outer sheath welded