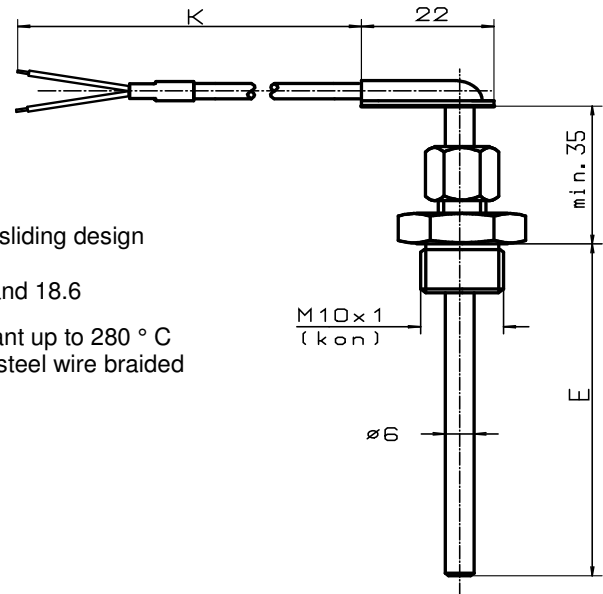


Small Push-in thermocouple

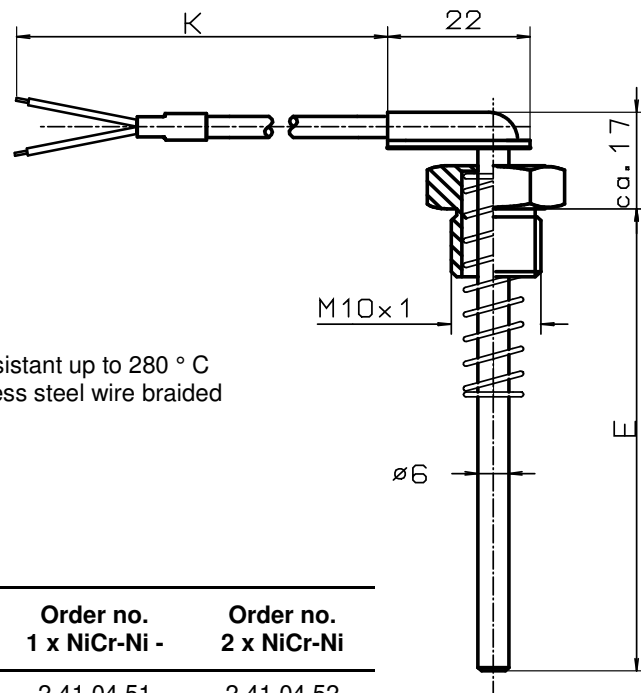
Thermocouple	Fe-CuNi or NiCr-Ni Other thermocouples on request
Operating temperature	to 400°C
Fitting	Steel cadmium plated in a tightly closed sliding design Normal thread M 10 x 1 con. (other threads possible) see page 18.5 and 18.6
Connection	flexible cables, wires temperature resistant up to 280 ° C Teflon insulation together with stainless steel wire braided Cable length 1 m long
Thermowell	Stainless steel M-No. 1.4541 , 6 mm Ø
Safety class	IP55 suitable for outdoor installation


Version

N in mm	Weight in kg	Order no. 1 x Fe-CuNi	Order no. 2 x Fe-CuNi	Order no. 1 x NiCr-Ni	Order no. 2 x NiCr-Ni
30	0,1	1.41.04.11	1.41.04.12	2.41.04.11	2.41.04.12
70	0,15	1.41.04.21	1.41.04.22	2.41.04.21	2.41.04.22
120	0,2	1.41.04.31	1.41.04.32	2.41.04.31	2.42.04.32
Addition per					
1 m cable length		1.41.04.00	1.41.04.02	2.41.04.00	2.41.04.02
50mm N		1.41.04.10	1.41.04.20	2.41.04.10	2.41.04.20

Small angle thermocouple with pressure spring

Thermocouple	Fe-CuNi or NiCr-Ni Other thermocouples on request
Operating temperature	to 400°C
Fitting	Resilient pipe fitting 13mm spring travel Thread R ¼" (other threads possible)
Connection	flexible cables, wires temperature resistant up to 280 ° C Teflon insulation together with stainless steel wire braided Cable length 1 m long
Safety class	IP55 suitable for outdoor installation


Version

N in mm	Weight in kg	Order no. 1 x Fe-CuNi	Order no. 2 x Fe-CuNi	Order no. 1 x NiCr-Ni -	Order no. 2 x NiCr-Ni
30	0,10	1.41.04.51	1.41.04.52	2.41.04.51	2.41.04.52
70	0,15	1.41.04.61	1.41.04.62	2.41.04.61	2.41.04.62
120	0,20	1.41.04.71	1.41.04.72	2.41.04.71	2.42.04.72
Addition per					
1 m cable length		1.41.04.00	1.41.04.02	2.41.04.00	2.41.04.02
50mm N		1.41.04.10	1.41.04.20	2.41.04.10	2.41.04.20