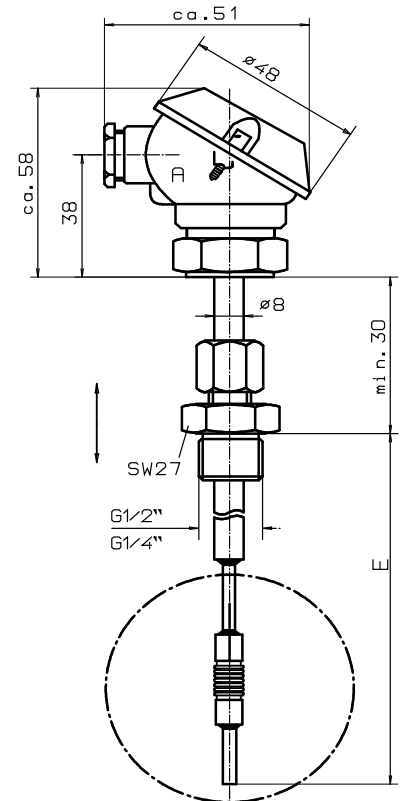
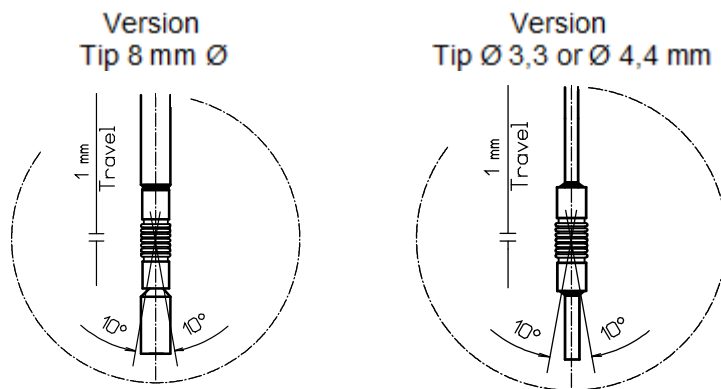
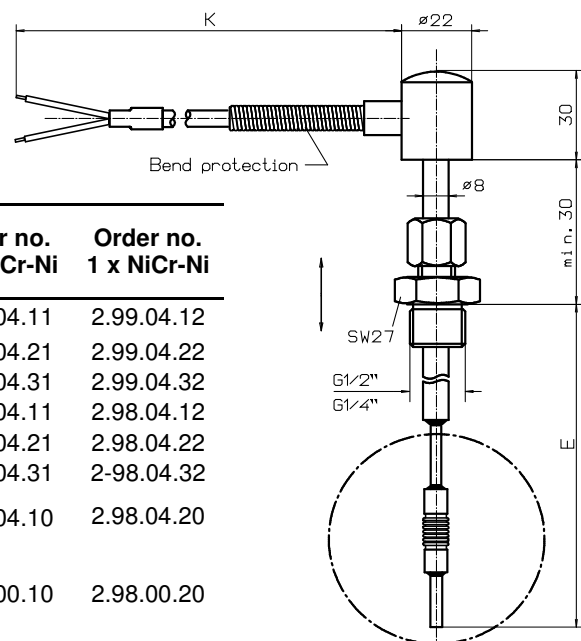


**Special temperature sensor T 86-040**

pressure-tight, resilient, adaptable measuring tip

|                           |  |
|---------------------------|--|
| <b>Thermocouple</b>       | 1 x Fe-CuNi / 2 x Fe-CuNi other item types possible  |
| <b>Measuring range</b>    | to 300°C<br>other temperature ranges available in special design   |
| <b>Thermowell</b>         | VA-Material, M-No. 1.4541<br>tightly welded  |
| <b>Fitting</b>            | sliding, plated steel R 1/4 "<br>other thread also possible in VA, see page 18.5   |
| <b>Connection</b>         | Version A<br>Connection head MA from light metal<br>Version B<br>permanently connected, tightly encapsulated<br>Teflon cable with strain relief spring |
| <b>Connection diagram</b> | chapter 19.20  |
| <b>Safety class</b>       | IP 65, suitable for outdoor installation   |


**Version A**

**Version B**

| Version                    | E<br>in mm | Order no.<br>1 x Fe-CuNi | Order no.<br>2 x Fe-CuNi | Order no.<br>1 x NiCr-Ni | Order no.<br>1 x NiCr-Ni |
|----------------------------|------------|--------------------------|--------------------------|--------------------------|--------------------------|
| <b>Version A</b>           | 100        | 1.99.04.11               | 1.99.04.12               | 2.99.04.11               | 2.99.04.12               |
|                            | 60         | 1.99.04.21               | 1.99.04.22               | 2.99.04.21               | 2.99.04.22               |
|                            | 150        | 1.99.04.31               | 1.99.04.32               | 2.99.04.31               | 2.99.04.32               |
| <b>Version B</b>           | 100        | 1.98.04.11               | 1.98.04.12               | 2.98.04.11               | 2.98.04.12               |
|                            | 60         | 1.98.04.21               | 1.98.04.22               | 2.98.04.21               | 2.98.04.22               |
|                            | 150        | 1.98.04.31               | 1.98.04.32               | 2.98.04.31               | 2.98.04.32               |
| Surcharge 50 mm N          |            | 1.98.04.10               | 1.98.04.20               | 2.98.04.10               | 2.98.04.20               |
| For version B              |            |                          |                          |                          |                          |
| Surcharge 1 m cable length |            | 1.98.00.10               | 1.98.00.20               | 2.98.00.10               | 2.98.00.20               |
| <b>Speciality</b>          |            |                          |                          |                          |                          |
| Tip 3,3Ø                   |            | 1.99.04.10               | 1.99.04.01               | 2.99.04.10               | 2.99.04.01               |
| Tip 4,4Ø                   |            | 1.99.04.20               | 1.99.04.02               | 2.99.04.20               | 2.99.04.02               |

Versions with other thermocouples possible