

**Connection head form NA, light metal**

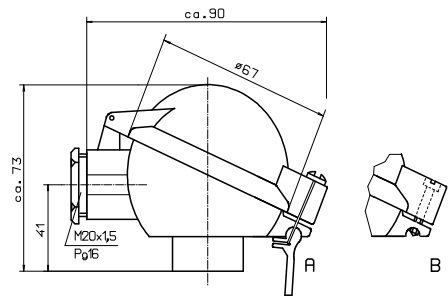
With toggle closure (with locking screw possible)

**Connector base with ledge**

Terminal	Order No.
2-pole	8.00.00.07
4-pole	8.00.00.08
6-pole	8.00.00.09
8-pole	8.00.00.10

**Connection head**

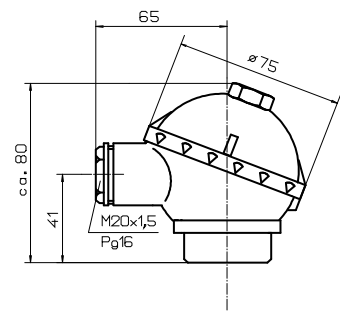
Bore-Ø	Order No.
15mm	8.00.00.62
M 24x1,5	8.00.00.63


**Connection head form NS, Noryl plastic up to 130 °C**
**Connector base with ledge**

Terminal	Order No.
2-pole	8.00.00.07
4-pole	8.00.00.08
6-pole	8.00.00.09
8-pole	8.00.00.10

**Connection head**

Bore-Ø	Order No.
15mm	8.00.00.66
M 24x1,5	8.00.00.67


**Connection head form DSNW, Itamid plastic up to 130 °C**

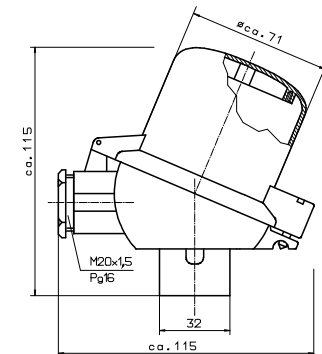
With high connection head

**Connector base with ledge**

Terminal	Order No.
2-pole	8.00.00.07
4-pole	8.00.00.08
6-pole	8.00.00.09
8-pole	8.00.00.10

**Connection head**

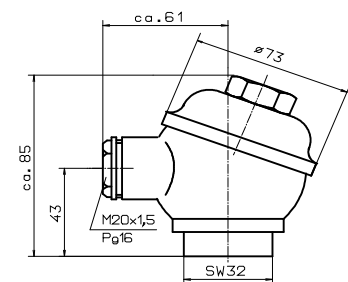
Bore-Ø	Order No.
15mm	8.00.00.11
M 24x1,5	8.00.00.12


**Connection head form GT consisting of grey cast iron**
**Connector base with ledge**

Terminal	Order No.
2-pole	8.00.00.07
4-pole	8.00.00.08
6-pole	8.00.00.09
8-pole	8.00.00.10

**Connection head**

Bore-Ø	Order No.
15mm	8.00.00.68
M 24x1,5	8.00.00.69


**Connection head form MA(J) consisting of light metal**
**Connector base**

Terminal	Order No.
2-pole	8.00.00.25
4-pole	8.00.00.26

**Connection head**

Bore-Ø	Order No.
Inside thread M 10 x 1	8.00.00.71
Outside thread M 20 x 0,75	8.00.00.72

