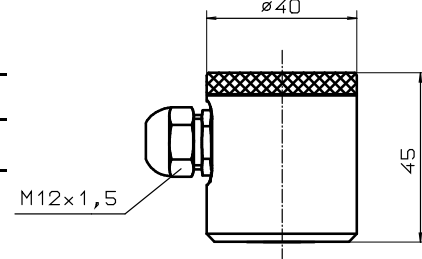


Connection head form VA size I consists of stainless steel 1.4541

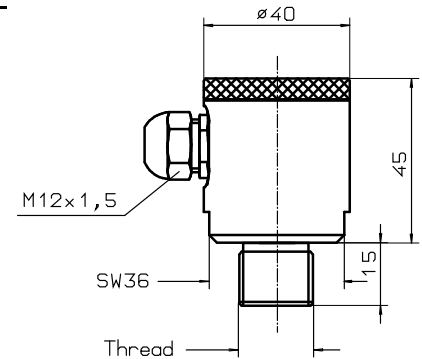
Version in V4A material no. 1.4571 possible

Connector base		Connector head without thread	
Terminal	Order No.	Ø in mm	Order No.
For all VA heads with size I			
2-polig	8.00.00.25	6	8.00.00.75
4-polig	8.00.00.26	8	8.00.00.76
		10	8.00.00.77

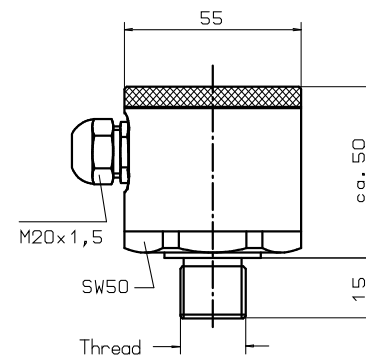

Connection head form VA size I consists of stainless steel 1.4541

Version in V4A material no. 1.4571 possible

Thread 3/8"		Thread 3/4"		Thread 1/2"	
Ø in mm	Order No.	Ø in mm	Order No.	Ø in mm	Order No.
6	8.00.00.11	6	8.00.00.14	6	8.00.00.78
8	8.00.00.12	8	8.00.00.15	8	8.00.00.79
10	8.00.00.13	10	8.00.00.16	10	8.00.00.80

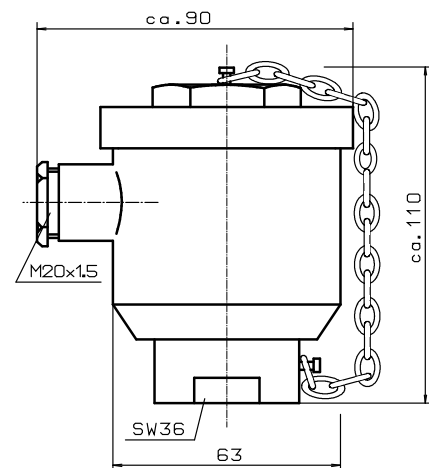

Connection base for head form VA size II

Terminal No.	Order No.	Terminal No.	Order No.
2	8.00.00.32	6	8.00.00.34
4	8.00.00.33	8	8.00.00.35


Connection head form VA size II consists of stainless steel 1.4541

Version in V4A material no. 1.4571 possible

Without thread		Thread 1/2"		Thread M27x2	
Ø in mm	Order No.	Ø in mm	Order No.	Ø in mm	Order No.
6	8.00.00.41	6	8.00.00.1	6	8.00.00.46
8	8.00.00.42	8	8.00.00.1	8	8.00.00.47
10	8.00.00.43	10	8.00.00.1	10	8.00.00.48
12	8.00.00.44	12	8.00.00.1	12	8.00.00.49
14	8.00.00.45	14	8.00.00.1	14	8.00.00.50


Connection head form VA size III consists of stainless steel V4A material no. 1.4571

(marine version)

Protection class IP 67

Cable gland	Bottom threads	Inside thread	Order No.
1/2" - 14 NPT	1/2" - 14 NPT	PG9	8.00.00.27
1/2" - 14 NPT	3/4" - 14 NPT	PG9	8.00.00.28
M 20 x 1,5	3/4" - 14 NPT	PG9	8.00.00.29

Connection head form SI consists of lacquered messing

Connection base		Connection head	
Terminal No.	Order No.	Ø in mm	Order No.
2-pole	8.00.00.07	6	8.00.00.81
4-pole	8.00.00.08	8	8.00.00.82
		10	8.00.00.83

