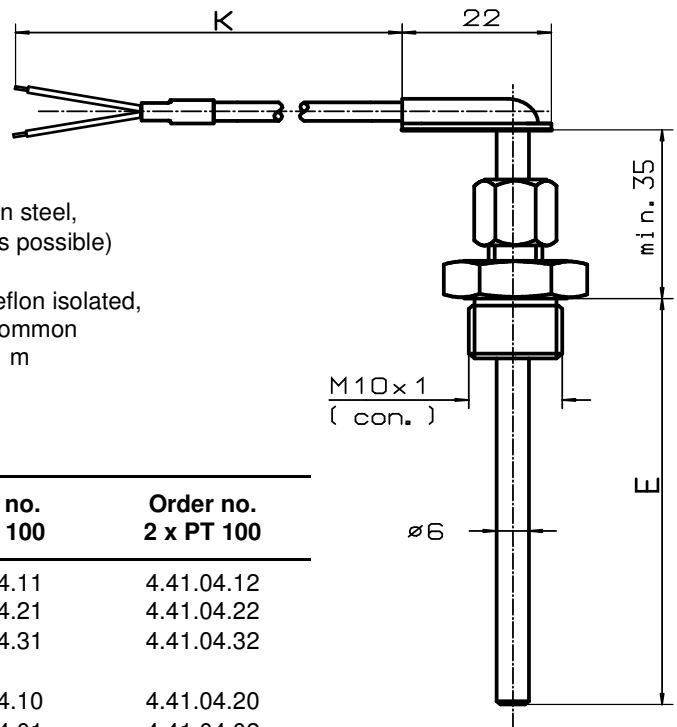


**Angle resistance thermometer**

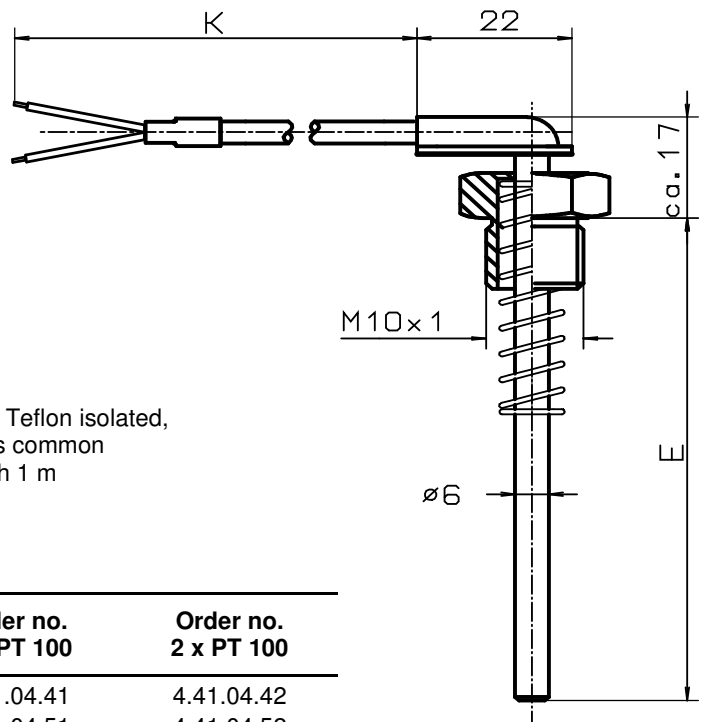
<b>Measuring insert</b>	1 x PT 100 / 2 x PT 100, other operation possible
<b>Thermowell</b>	Stainless steel M-No. 1.4541
<b>Fitting</b>	Cadmium plated standard version in steel, slidable, M10 x 1 con (Other threads possible) see sheet 18.5 / 18.6 / 18.7
<b>Connection</b>	Flexible cable, cores separately, Teflon isolated, together with metal shield across common Teflon outer jacket Normal length 1 m
<b>Operating temperature</b>	Max.. 300°C



Version	E in mm	Weight in kg	Order no. 1 x PT 100	Order no. 2 x PT 100
	30	0,10	4.41.04.11	4.41.04.12
	70	1,15	4.41.04.21	4.41.04.22
	12	1,20	4.41.04.31	4.41.04.32
Addition				
50 mm E			4.41.04.10	4.41.04.20
1 m cable length			4.41.04.01	4.41.04.02
3- wire circuit			4.41.00.03	4.41.00.23
4- wire circuit			4.41.00.04	4.41.00.24

**Version with pressure spring**

<b>Measuring insert</b>	1 x PT 100 / 2 x PT 100, other operation possible
<b>Thermowell</b>	Stainless steel M-No. 1.4541
<b>Fitting</b>	Stainless steel M-No. 1.4541 (Other threads possible)
<b>Connection</b>	Flexible cable, cores separately, Teflon isolated, together with metal shield across common Teflon outer jacket Normal length 1 m
<b>Operating temperature</b>	max. 300°C, at the spring 200°C



Version	E in mm	Weight in kg	Order no. 1 x PT 100	Order no. 2 x PT 100
	30	0,10	4.41.04.41	4.41.04.42
	70	1,15	4.41.04.51	4.41.04.52
	12	1,20	4.41.04.61	4.41.04.62
Addition				
50 mm E			4.41.04.10	4.41.04.20
1 m cable length			4.41.04.01	4.41.04.02
3- wire circuit			4.41.00.03	4.41.00.23
4- wire circuit			4.41.00.04	4.41.00.24