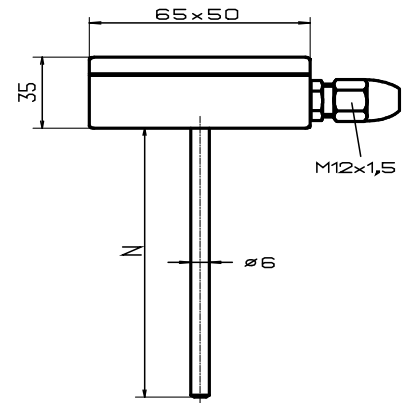
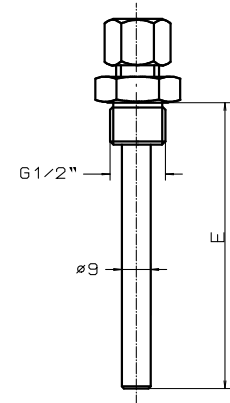


Resistance thermometer with flat connector head

Measuring insert	1 x PT 100 / 2 x PT 100 DIN43760 1 x Ni 100 / 2 x Ni 100 1 x Pt 1000 / 2 x Pt 1000
Operating temperature	Normal version to 200° C Special version to 500° C
Connection head	Makrolon with plastic cable gland
Safety class	I P 65 suitable for outdoor installation
Material	Dip tube and threaded jacket VA W-Nr. 1.4541 Flange and screwed insert ST37.8 cadmium plated

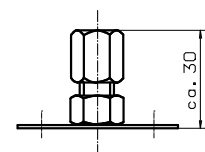
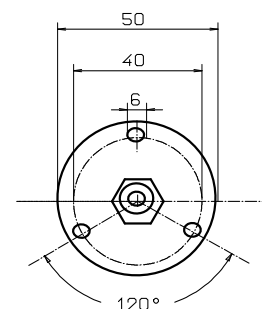

Threaded jacket

Version

N in mm	Order no. 1 x PT 100	Order no. 2 x PT100	Threaded jacket G1/2"	Delivery Time
70	4.45.04.11	4.45.04.12	4.45.04.10	All models are available by arrangement
100	4.45.04.21	4.45.04.22	4.45.04.20	
150	4.45.04.31	4.45.04.32	4.45.04.30	
200	4.45.04.41	4.45.04.42	4.45.04.40	
300	4.45.04.51	4.45.04.52	4.45.04.50	
400	4.45.04.61	4.45.04.62	4.45.04.60	
600	4.45.04.71	4.45.04.72	4.45.04.70	
800	4.45.04.81	4.45.04.82	4.45.04.80	

Adjustable screw joints suitable for fitting, 6 mm Ø

Adjustable screw	Galvanized steel	Available from stock	Stainless steel 1.4541	Available from stock
M 10 x 1 Zyl.	0.70.12.00	x	8.04.04.40	x
1/8" NPT	0.55.12.00	x	8.05.05.30	x
G 1/8"	0.56.12.00	x	8.02.04.40	x
G 1/4"	0.57.12.00	x	8.01.04.40	x
G 1/2"	0.58.12.00	x	8.03.04.40	x
G 3/4"	0.59.12.00	x	8.06.04.10	x
G 1"	0.61.12.00	x	8.07.04.10	x
Spherical screw joint slidable VA			8.91.04.30	x
Spring fitting slidable R1/2" VA			8.90.04.10	x
Spring fitting slidable M 20 VA			8.90.04.40	x
Stainless steel mounting flange 1.4541			4.45.04.90	x

Fittings see also sheet 18.5 and 18.6

Clamping flange

4.45.04.90