

Push-in resistance thermometer made of stainless steel
 with EEx d cable gland for cable Ø 7-9mm
 EExd Atex Certification-Nr.BVS 04 ATEX E 138 X

Safety class Ex II 2G EEx d II C T3-T6 / IM2 EEx d I
Measuring insert 1 x PT100 / 2 x PT100 / thermocouple see chapter 13
Ambient temperature stainless steel head : -20 to 60°C
Medium Temperature : **Type 7.03.xx.xx** :-40°C to 95°C
 : **Type 7.33.xx.xx** :-40°C to 195°C

Thermowell Stainless steel M-No. 1.4541 / 1.4571 , 5-10 mm Ø
Connection head VA, Ø 55mm, **Transmitter installation possible**
System connection Screw sliding, see data sheet 18.5 / 18.6 / 18.7
Connection diagram Data sheet 19.20

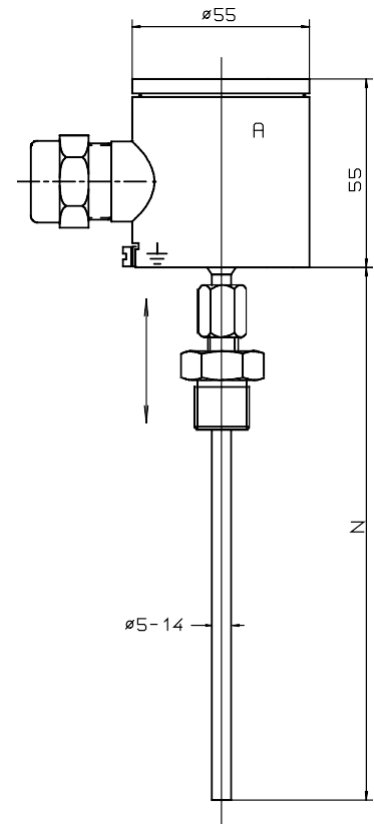
Typ 7.03 55VA		-40°C to 95°C			
Version Ø 6mm		Material 1.4541		Material 1.4571	
-40 to 95°C	N	Order no. 1xPT100	Order no. 2xPT100	Order no. 1xPT100	Order no. 2xPT100
	50	7.03.62.11	7.03.62.12	7.03.64.11	7.03.64.12
	100	7.03.62.21	7.03.62.22	7.03.64.21	7.03.64.22
	150	7.03.62.31	7.03.62.32	7.03.64.31	7.03.64.32
	200	7.03.62.41	7.03.62.42	7.03.64.41	7.03.64.42
	250	7.03.62.51	7.03.62.52	7.03.64.51	7.03.64.52
	300	7.03.62.61	7.03.62.62	7.03.64.61	7.03.64.62
Surcharge					
3-wire circuit		7.03.00.13	7.03.00.23	7.03.00.13	7.03.00.23
4-wire circuit		7.03.00.14	7.03.00.24	7.03.00.14	7.03.00.24
per 50 mm N		7.03.65.21	7.03.65.22	7.03.65.41	7.03.65.42
Version 5mm Ø		7.03.52.01	7.03.52.02	7.03.54.01	7.03.54.02
Version 8mm Ø		7.03.82.01	7.03.82.02	7.03.84.01	7.03.84.02
Version 10mm Ø		7.03.02.01	7.03.02.02	7.03.04.01	7.03.04.02
Version 12mm Ø		7.03.22.01	7.03.22.02	7.03.24.01	7.03.24.02
Version 14mm Ø		7.03.42.01	7.03.42.02	7.03.44.01	7.03.44.02

Typ 7.33 55VA		-40°C to 195°C				with 50mm neck tube
Version Ø 6mm		Material 1.4541		Material 1.4571		
-40 to 195°C	N	Order no. 1xPT100	Order no. 2xPT100	Order no. 1xPT100	Order no. 2xPT100	
	50	7.33.62.11	7.33.62.12	7.33.64.11	7.33.64.12	
	100	7.33.62.21	7.33.62.22	7.33.64.21	7.33.64.22	
	150	7.33.62.31	7.33.62.32	7.33.64.31	7.33.64.32	
	200	7.33.62.41	7.33.62.42	7.33.64.41	7.33.64.42	
	250	7.33.62.51	7.33.62.52	7.33.64.51	7.33.64.52	
	300	7.33.62.61	7.33.62.62	7.33.64.61	7.33.64.62	
Surcharge						
3-wire circuit		7.33.00.13	7.33.00.23	7.33.00.13	7.33.00.23	
4-wire circuit		7.33.00.14	7.33.00.24	7.33.00.14	7.33.00.24	
per 50 mm N		7.33.65.21	7.33.65.22	7.33.65.41	7.33.65.42	
Version 5mm Ø		7.33.52.01	7.33.52.02	7.33.54.01	7.33.54.02	
Version 8mm Ø		7.33.82.01	7.33.82.02	7.33.84.01	7.33.84.02	
Version 10mm Ø		7.33.02.01	7.33.02.02	7.33.04.01	7.33.04.02	
Version 12mm Ø		7.33.22.01	7.33.22.02	7.33.24.01	7.33.24.02	
Version 14mm Ø		7.33.42.01	7.33.42.02	7.33.44.01	7.33.44.02	

Version with cable for Type 7.03.xx.xx and Type 7.33.xx.xx

Surcharge per meter				
2-wire	4-wire	6-wire	8-wire	
7.10.00.02	7.10.00.04	7.10.00.06	7.10.00.08	

Type 7.03 55VA



Type 7.33 55VA

